



Commercial Series Generator Parts Manual

(with Kohler Command series engines)



How to order Wanco service parts:

You can reach us using the information below. We will be happy to help you identify the parts you need:

By phone: call 303-427-5700 ext 366

By fax: 303-427-5725 attn: Lucas Thompson

By email: GenParts@wanco.com

Payment: we accept Mastercard, Visa and American Express

Please provide the following information with your order:

- Part number, description and quantity of each item
 - Billing address (if paying by cc)
 - Shipping address
 - Your contact information
-

If you need assistance with your generator set, please contact our service department:

Wanco Inc.

5870 Tennyson Street
Arvada, Colorado 80003
303-427-5700
fax 303-427-5725
www.wanco.com
info@wanco.com

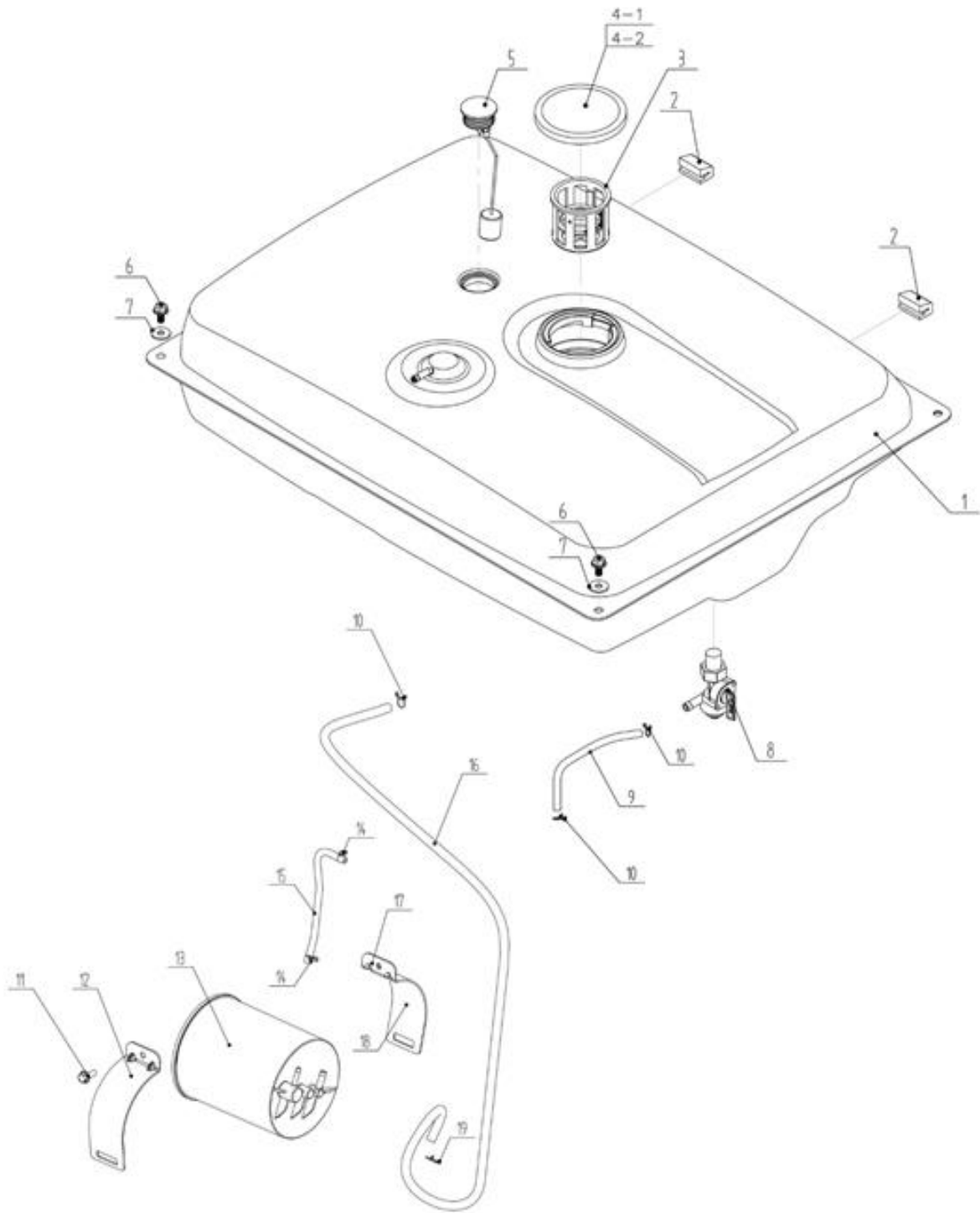
For engine technical assistance and parts, we recommend contacting Kohler directly at www.kohlerengines.com, or by calling 1-800-544-2444.

CONTENTS

FUEL SYSTEM FOR WGC3800	4
FUEL SYSTEM FOR WGC5300 & WGC7500E	6
ALTERNATOR PARTS FOR WGC3800	8
ALTERNATOR PARTS FOR WGC5300 & WGC7500E.....	10
CONTROL PANEL PARTS FOR WGC3800	12
CONTROL PANEL PARTS FOR WGC5300.....	14
CONTROL PANEL PARTS FOR WGC7500E	16
FRAME PARTS FOR WGC3800	18
FRAME PARTS FOR WGC5300 & WGC7500E	20
EXHAUST SYSTEM PARTS FOR WGC3800	22
EXHAUST SYSTEM PARTS FOR WGC5300	24
EXHAUST SYSTEM PARTS FOR WGC7500E	26

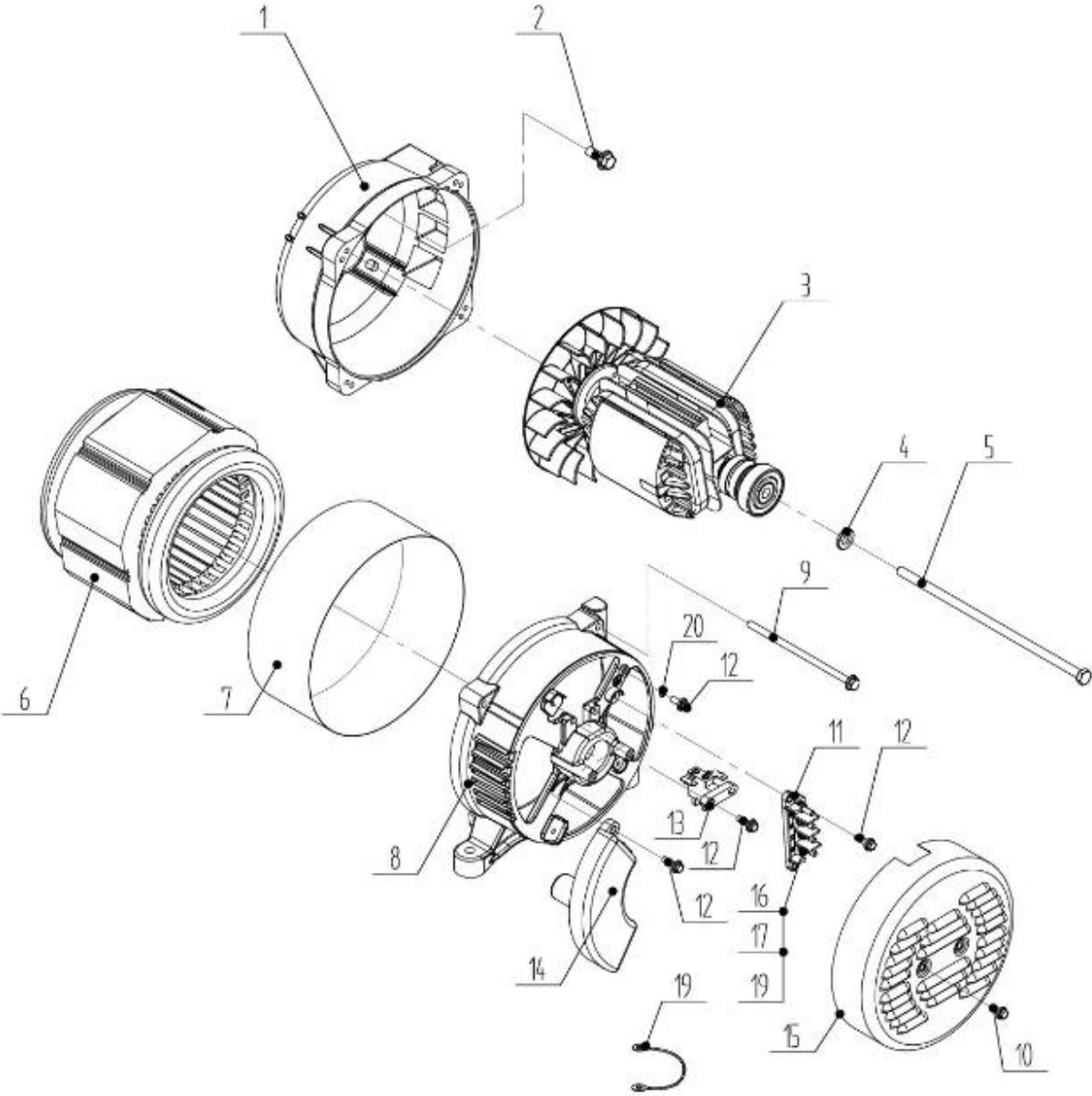
Ref	Part Description	Part Number	Qty
	Small Fuel Tank Kit	220983	1
1	<i>Fuel Tank Assy Small</i>	<i>included in kit 220983</i>	1
2	<i>Fuel Tank Spacer</i>	<i>included in kit 220983</i>	2
3	<i>Fuel Strainer Small</i>	<i>included in kit 220983</i>	1
5	<i>Fuel Gauge Small</i>	<i>included in kit 220983</i>	1
6	<i>Bolt M6x12</i>	<i>included in kit 220983</i>	2
7	<i>Washer M6</i>	<i>included in kit 220983</i>	2
4-1	<i>Fuel Cap Assy</i>	<i>included in kit 220983</i>	1
4-2	<i>Fuel Cap Tether</i>	<i>included in kit 220983</i>	1
	Small Tank Hose Kit	220984	1
9	<i>Fuel hose(EPA)</i>	<i>included in kit 220984</i>	1
10	<i>ClipΦ9.5</i>	<i>included in kit 220984</i>	4
14	<i>Fuel hose3</i>	<i>included in kit 220984</i>	1
15	<i>Fuel hose2</i>	<i>included in kit 220984</i>	1
12	<i>ClipΦ11.5</i>	<i>included in kit 220984</i>	3
8	Fuel Valve	220956	1
13	Carbon Canister Small	220947	1
	Fuel Cap Kit	220987	1
4-1	<i>Fuel Cap Assy</i>	<i>included in kit 220987</i>	1
4-2	<i>Fuel Cap Tether</i>	<i>included in kit 220987</i>	1

FUEL SYSTEM PARTS FOR WGC5300 & WGC7500E



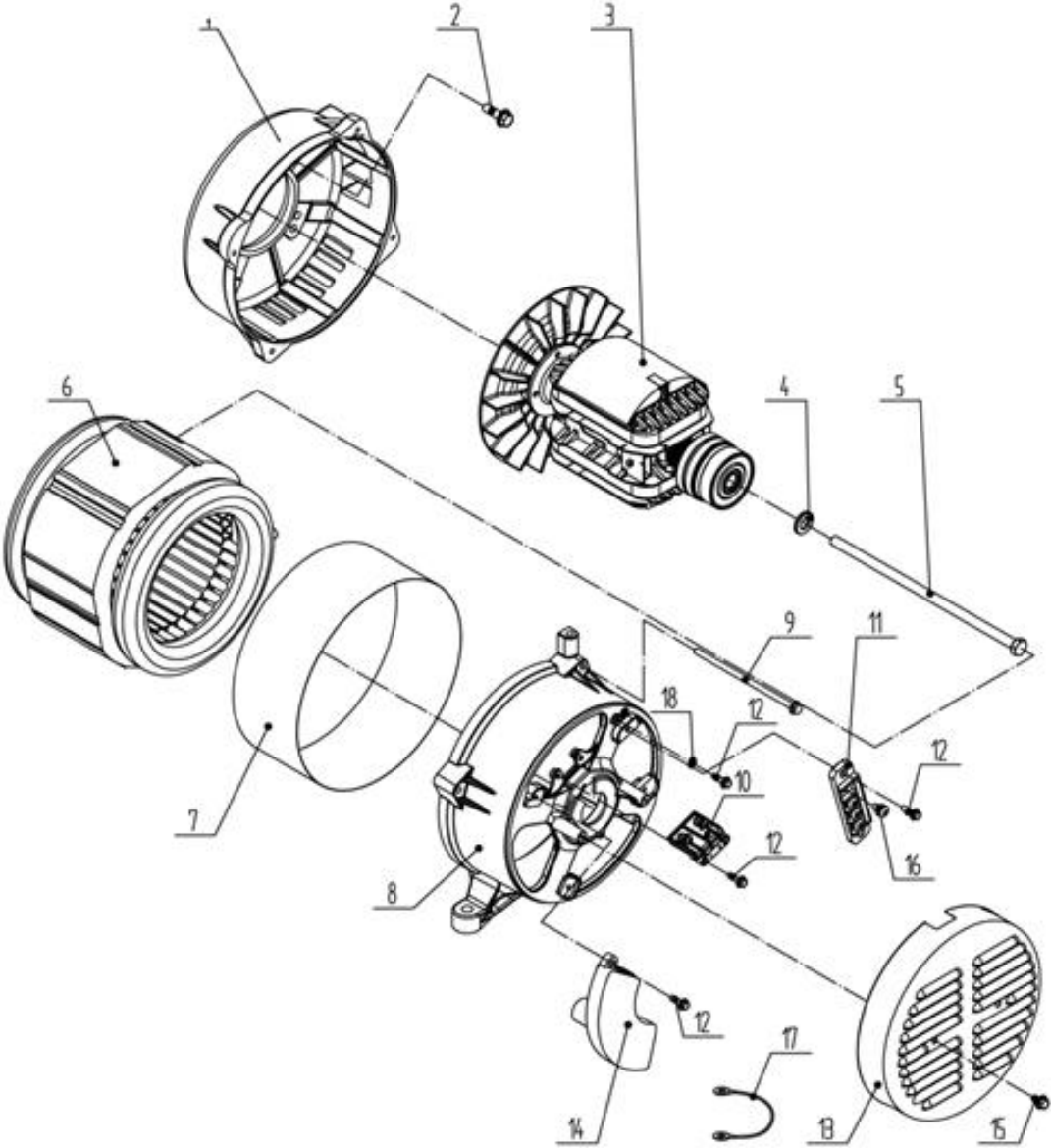
Ref	Part Description	Part Number	Qty
	Small Fuel Tank Kit	220983	1
1	<i>Fuel Tank Assy Small</i>	<i>included in kit 220983</i>	1
2	<i>Fuel Tank Spacer</i>	<i>included in kit 220983</i>	2
3	<i>Fuel Strainer Small</i>	<i>included in kit 220983</i>	1
5	<i>Fuel Gauge Small</i>	<i>included in kit 220983</i>	1
6	<i>Bolt M6x12</i>	<i>included in kit 220983</i>	2
7	<i>Washer M6</i>	<i>included in kit 220983</i>	2
4-1	<i>Fuel Cap Assy</i>	<i>included in kit 220983</i>	1
4-2	<i>Fuel Cap Tether</i>	<i>included in kit 220983</i>	1
9	<i>Fuel hose(EPA)</i>	<i>included in kit 220984</i>	1
10	<i>ClipΦ9.5</i>	<i>included in kit 220984</i>	4
14	<i>Fuel hose3</i>	<i>included in kit 220984</i>	1
15	<i>Fuel hose2</i>	<i>included in kit 220984</i>	1
12	<i>ClipΦ11.5</i>	<i>included in kit 220984</i>	3
8	Fuel Valve	220956	1
13	Carbon Canister Small	220947	1
	Fuel Cap Kit	220987	1
4-1	<i>Fuel Cap Assy</i>	<i>included in kit 220987</i>	1
4-2	<i>Fuel Cap Tether</i>	<i>included in kit 220987</i>	1

ALTERNATOR PARTS FOR WGC3800



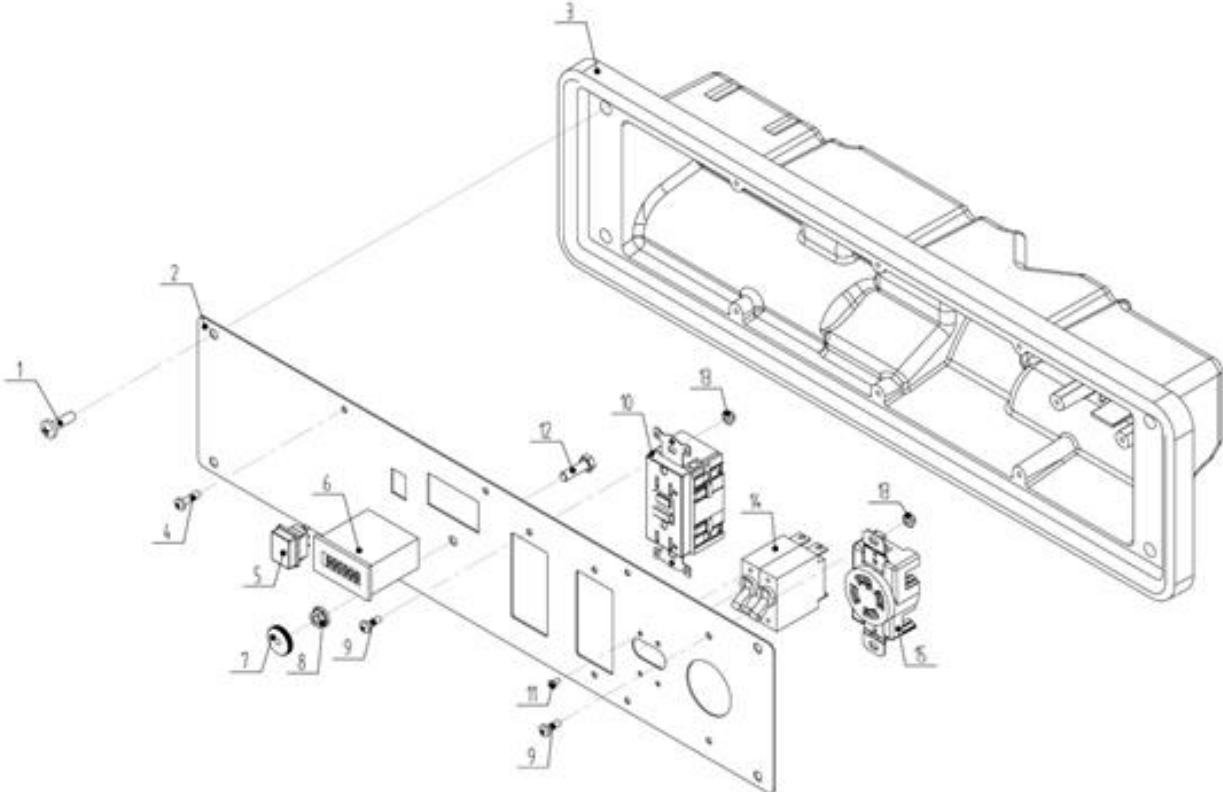
Ref	Part Description	Part Number	Qty
	Small Alternator Kit	220988	1
1	<i>Engine Casting Small</i>	<i>included in kit 220988</i>	1
2	<i>Engine Bolt Small</i>	<i>included in kit 220988</i>	4
3	<i>Rotor Assy Small</i>	<i>included in kit 220988</i>	1
4	<i>Rotor Bolt Washer</i>	<i>included in kit 220988</i>	1
5	<i>Rotor Bolt Small</i>	<i>included in kit 220988</i>	1
6	<i>Stator Small</i>	<i>included in kit 220988</i>	1
7	<i>Stator Cover Small</i>	<i>included in kit 220988</i>	1
8	<i>Bearing Casting Small</i>	<i>included in kit 220988</i>	1
9	<i>Stator Bolt Small</i>	<i>included in kit 220988</i>	4
10	<i>Endcover Screw</i>	<i>included in kit 220988</i>	2
11	<i>Terminal Strip Small</i>	<i>included in kit 220988</i>	1
12	<i>Bolt Misc</i>	<i>included in kit 220988</i>	6
13	<i>Brush Module Small</i>	<i>included in kit 220988</i>	1
14	<i>AVR Small</i>	<i>included in kit 220988</i>	1
15	<i>Cover Rear Small</i>	<i>included in kit 220988</i>	1
16	<i>Washer Misc</i>	<i>included in kit 220988</i>	4
17	<i>Lock Washer</i>	<i>included in kit 220988</i>	5
18	<i>Nut Terminal</i>	<i>included in kit 220988</i>	4
19	<i>Ground Lead</i>	<i>included in kit 220988</i>	1
20	<i>Spring Washer 5mm</i>	<i>included in kit 220988</i>	1
5	Rotor Bolt Small	220973	1
9	Stator Bolt Small	220977	4
11	Terminal Strip Small	220980	1
13	Brush Module Small	220945	1
14	AVR Small	220941	1
15	Cover Rear Small	220952	1

ALTERNATOR PARTS FOR WGC5300 & WGC7500E



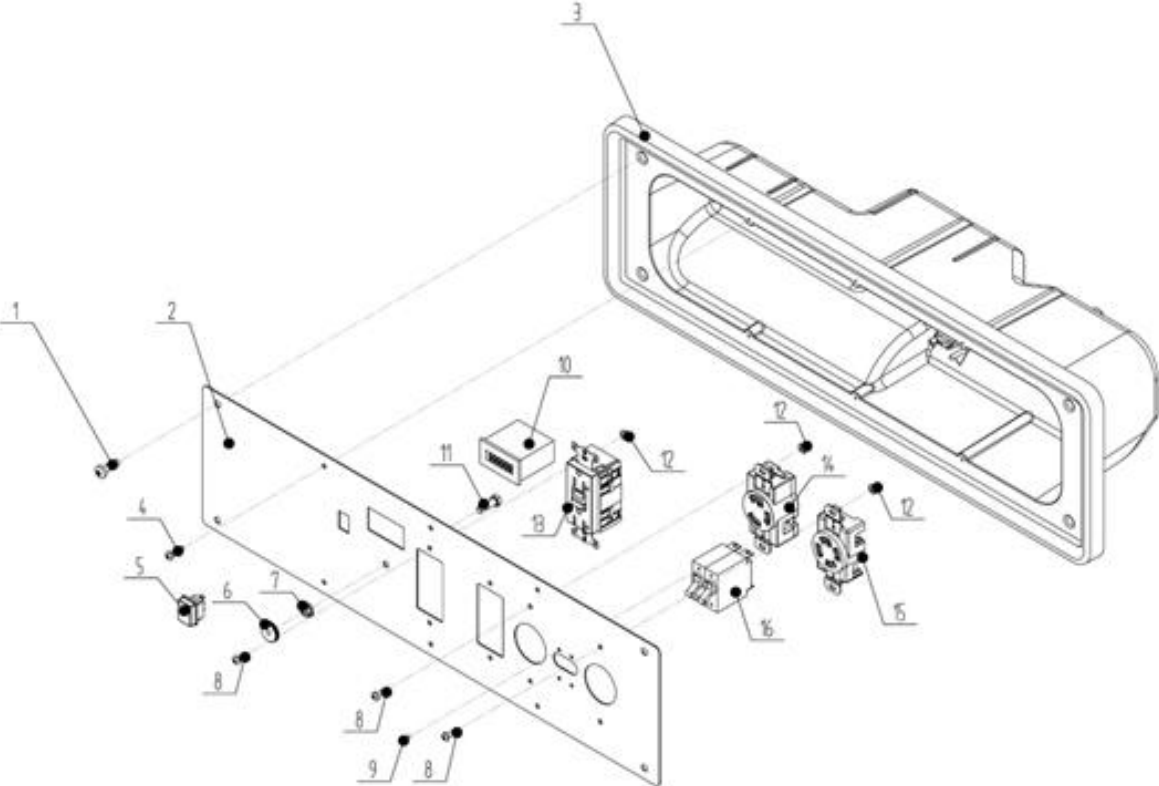
Ref	Part Description	Part Number	Qty
	Large Alternator Kit	220989	1
1	<i>Engine Casting Large</i>	<i>included in kit 220989</i>	1
2	<i>Engine Bolt Large</i>	<i>included in kit 220989</i>	4
3	<i>Rotor Assy Large</i>	<i>included in kit 220989</i>	1
4	<i>Rotor Bolt Washer</i>	<i>included in kit 220989</i>	1
5	<i>Rotor Bolt Large</i>	<i>included in kit 220989</i>	1
6	<i>Stator Large</i>	<i>included in kit 220989</i>	1
7	<i>Stator Cover Large</i>	<i>included in kit 220989</i>	1
8	<i>Bearing Casting Large</i>	<i>included in kit 220989</i>	1
9	<i>Stator Bolt Large</i>	<i>included in kit 220989</i>	4
10	<i>Brush Module Large</i>	<i>included in kit 220989</i>	1
11	<i>Terminal Strip Large</i>	<i>included in kit 220989</i>	1
12	<i>Bolt Term Strip Mnt</i>	<i>included in kit 220989</i>	6
13	<i>Cover Rear Large</i>	<i>included in kit 220989</i>	1
14	<i>AVR Large</i>	<i>included in kit 220989</i>	1
15	<i>Endcover Screw</i>	<i>included in kit 220989</i>	2
16	<i>Screw Term Strip</i>	<i>included in kit 220989</i>	8
17	<i>Ground Lead</i>	<i>included in kit 220989</i>	1
18	<i>Lock Washer</i>	<i>included in kit 220989</i>	1
5	Rotor Bolt Large	220972	1
9	Stator Bolt Large	220976	4
11	Terminal Strip Large	220979	1
13	Brush Module Large	220944	1
14	AVR Large	220942	1
15	Cover Rear Large	220951	1

CONTROL PANEL PARTS FOR WGC3800



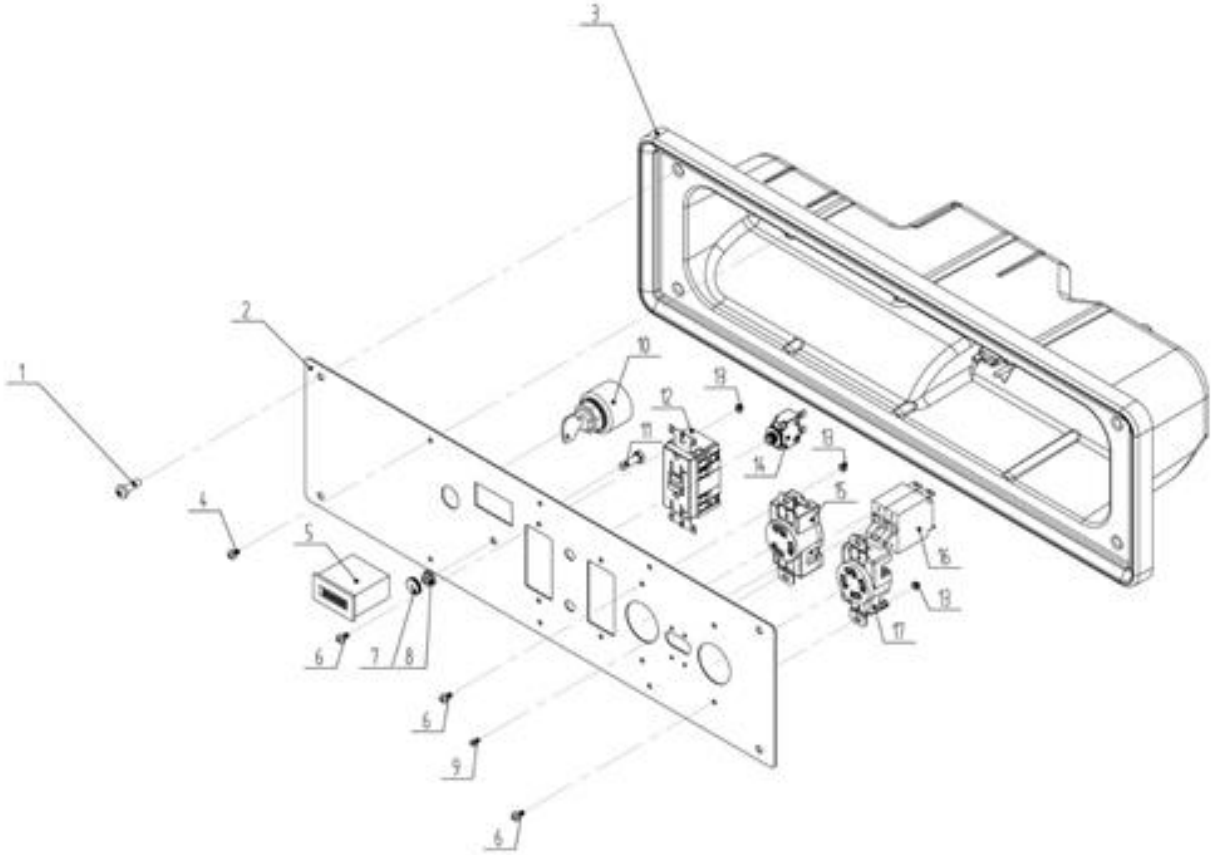
Ref	Part Description	Part Number	Qty
	Panel Assy Kit WGC3800	220990	1
1	<i>Panel Mounting Screw</i>	<i>included in kit 220990</i>	4
2	<i>Panel Faceplate WGC3800</i>	<i>included in kit 220990</i>	1
3	<i>Panel Rear Cover Small</i>	<i>included in kit 220990</i>	1
4	<i>Screw Faceplate Mounting</i>	<i>included in kit 220990</i>	6
5	<i>Switch On/Off Rocker</i>	<i>included in kit 220990</i>	1
6	<i>Hourmeter</i>	<i>included in kit 220990</i>	1
7	<i>Nut Ground Lug Inner</i>	<i>included in kit 220990</i>	1
8	<i>Nut Ground Lug Outer</i>	<i>included in kit 220990</i>	1
9	<i>Screw Receptacle</i>	<i>included in kit 220990</i>	6
10	<i>Receptacle GFCI</i>	<i>included in kit 220990</i>	2
11	<i>Screw Circuit Breaker</i>	<i>included in kit 220990</i>	4
12	<i>Screw Ground Lug</i>	<i>included in kit 220990</i>	1
13	<i>Nut Receptacle</i>	<i>included in kit 220990</i>	6
14	<i>Circuit Breaker 2Pole 15A</i>	<i>included in kit 220990</i>	1
15	<i>Receptacle L14-30R</i>	<i>included in kit 220990</i>	1
16	<i>Panel Harness WGC3800</i>	<i>included in kit 220990</i>	1
3	Panel Rear Cover Small	220971	1
5	Switch On/Off Rocker	220978	1
6	Hourmeter	220961	1
10	Receptacle GFCI	105002	2
14	Circuit Breaker 2Pole 15A	220948	1
15	Receptacle L14-30R	1101	1

CONTROL PANEL PARTS FOR WGC5300



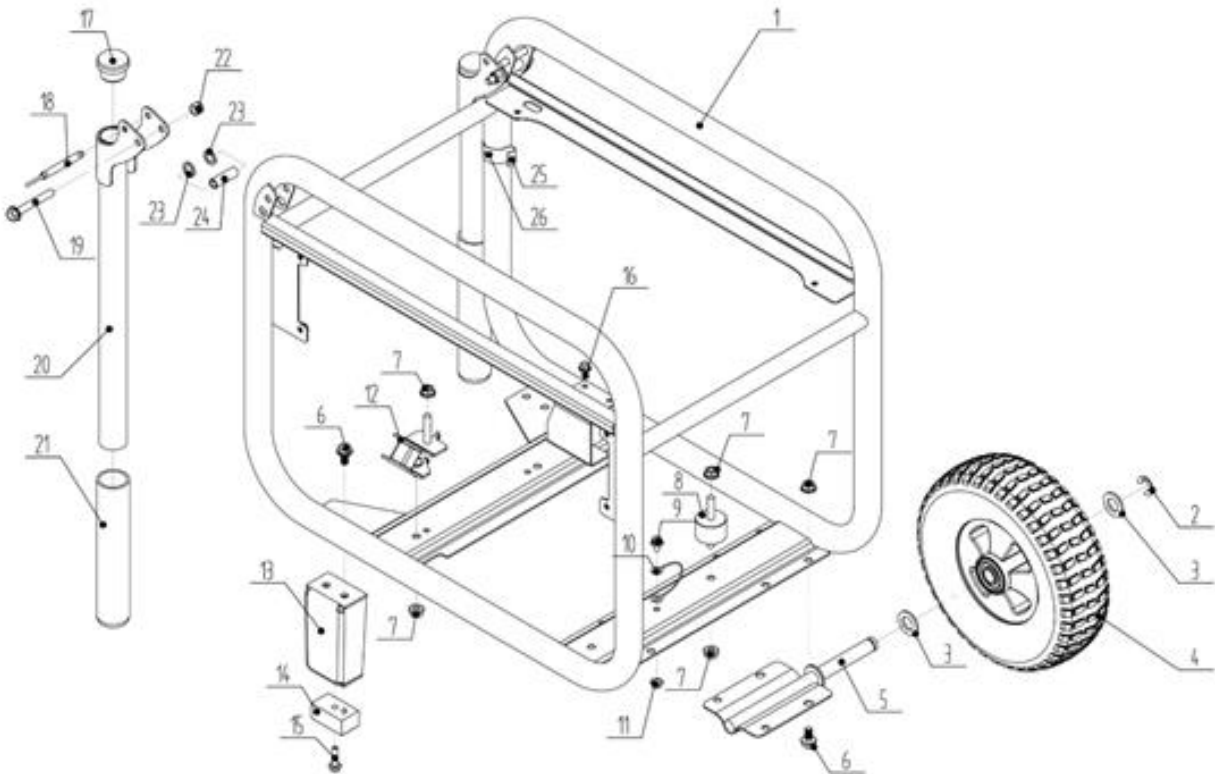
Ref	Part Description	Part Number	Qty
	Panel Assy Kit WGC5300	220991	1
1	<i>Panel Mounting Screw</i>	<i>included in kit 220991</i>	4
2	<i>Panel Faceplate WGC5300</i>	<i>included in kit 220991</i>	1
3	<i>Panel Rear Cover Large</i>	<i>included in kit 220991</i>	1
4	<i>Screw Faceplate Mounting</i>	<i>included in kit 220991</i>	6
5	<i>Switch On/Off Rocker</i>	<i>included in kit 220991</i>	1
6	<i>Nut Ground Lug Inner</i>	<i>included in kit 220991</i>	1
7	<i>Nut Ground Lug Outer</i>	<i>included in kit 220991</i>	1
8	<i>Screw Receptacle</i>	<i>included in kit 220991</i>	8
9	<i>Screw Circuit Breaker</i>	<i>included in kit 220991</i>	4
10	<i>Hourmeter</i>	<i>included in kit 220991</i>	1
11	<i>Screw Ground Lug</i>	<i>included in kit 220991</i>	1
12	<i>Nut Receptacle</i>	<i>included in kit 220991</i>	8
13	<i>Receptacle GFCI</i>	<i>included in kit 220991</i>	2
14	<i>Receptacle L5-30R</i>	<i>included in kit 220991</i>	1
15	<i>Receptacle L14-30R</i>	<i>included in kit 220991</i>	1
16	<i>Circuit Breaker 2Pole 20A</i>	<i>included in kit 220991</i>	1
17	<i>Panel Harness WGC5300</i>	<i>included in kit 220991</i>	1
1	<i>Panel Mounting Screw</i>	<i>included in kit 220990</i>	4
3	Panel Rear Cover Large	220970	1
5	Switch On/Off Rocker	220978	1
13	Receptacle GFCI	105002	2
14	Receptacle L5-30R	1117	1
15	Receptacle L14-30R	1101	1
16	Circuit Breaker 2Pole 20A	220949	1

CONTROL PANEL PARTS FOR WGC7500E



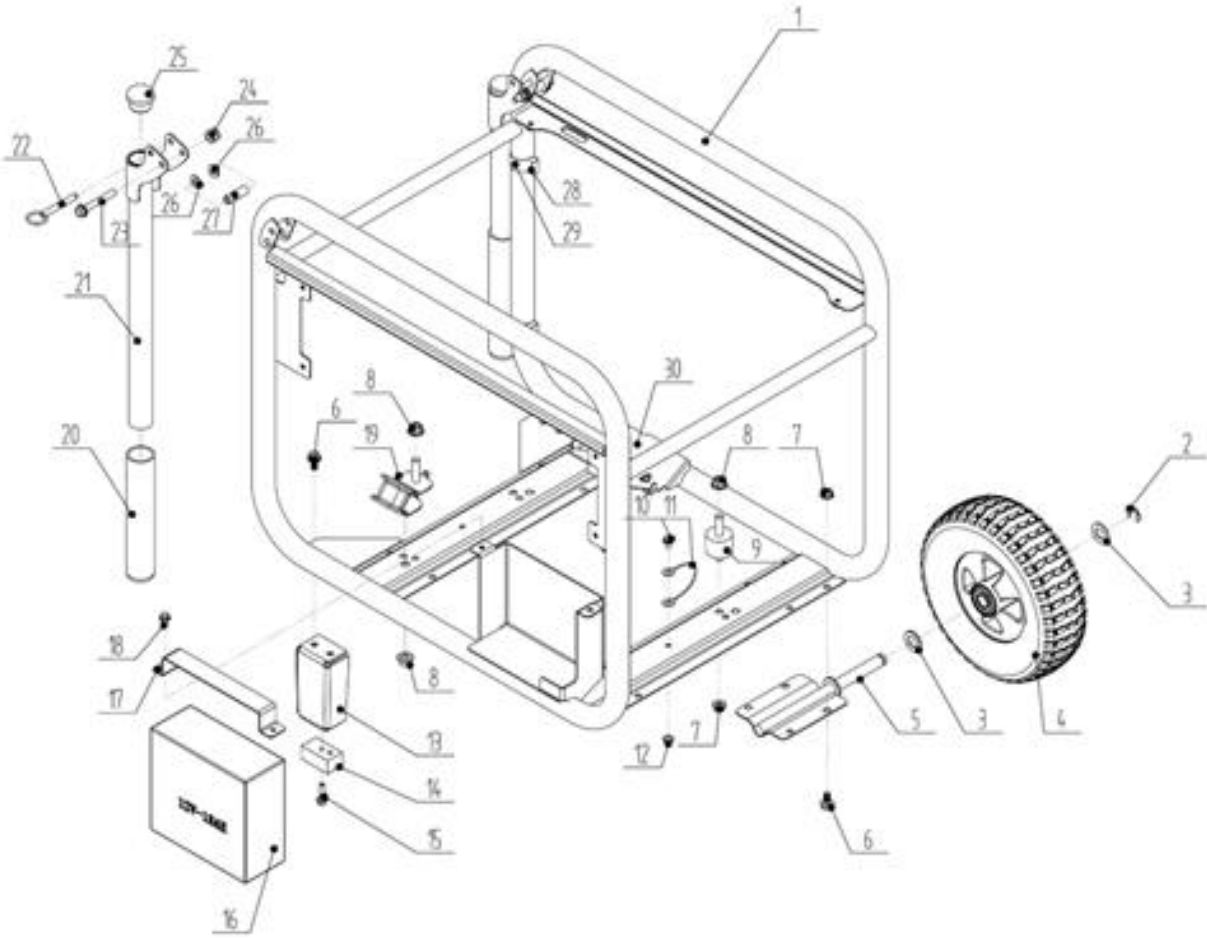
Ref	Part Description	Part Number	Qty
	Panel Assy Kit WGC7500E	220992	
1	<i>Panel Mounting Screw</i>	<i>included in kit 220992</i>	4
2	<i>Panel Faceplate WGC7500E</i>	<i>included in kit 220992</i>	1
3	<i>Panel Rear Cover Large</i>	<i>included in kit 220992</i>	1
4	<i>Screw Faceplate Mounting</i>	<i>included in kit 220992</i>	6
5	<i>Hourmeter</i>	<i>included in kit 220992</i>	1
6	<i>Screw Receptacle</i>	<i>included in kit 220992</i>	8
7	<i>Nut Ground Lug Inner</i>	<i>included in kit 220992</i>	1
8	<i>Nut Ground Lug Outer</i>	<i>included in kit 220992</i>	1
9	<i>Screw Circuit Breaker</i>	<i>included in kit 220992</i>	4
10	<i>Key Engine Start</i>	<i>included in kit 220992</i>	1
11	<i>Screw Ground Lug</i>	<i>included in kit 220992</i>	1
12	<i>Receptacle GFCI</i>	<i>included in kit 220992</i>	2
13	<i>Nut Receptacle</i>	<i>included in kit 220992</i>	8
14	<i>Circuit Breaker Thermal 20A</i>	<i>included in kit 220992</i>	2
15	<i>Receptacle L5-30R</i>	<i>included in kit 220992</i>	1
16	<i>Circuit Breaker 2Pole 30A</i>	<i>included in kit 220992</i>	1
17	<i>Receptacle L14-30R</i>	<i>included in kit 220992</i>	1
18	<i>Panel Harness WGC7500E</i>	<i>included in kit 220992</i>	1
3	Panel Rear Cover Large	220970	1
10	Key Engine Start	220966	1
12	Receptacle GFCI	105002	2
14	Circuit Breaker Thermal 20A	1069	2
15	Receptacle L5-30R	1117	1
16	Circuit Breaker 2Pole 30A	220950	1
17	Receptacle L14-30R	1101	1

FRAME PARTS FOR WGC3800



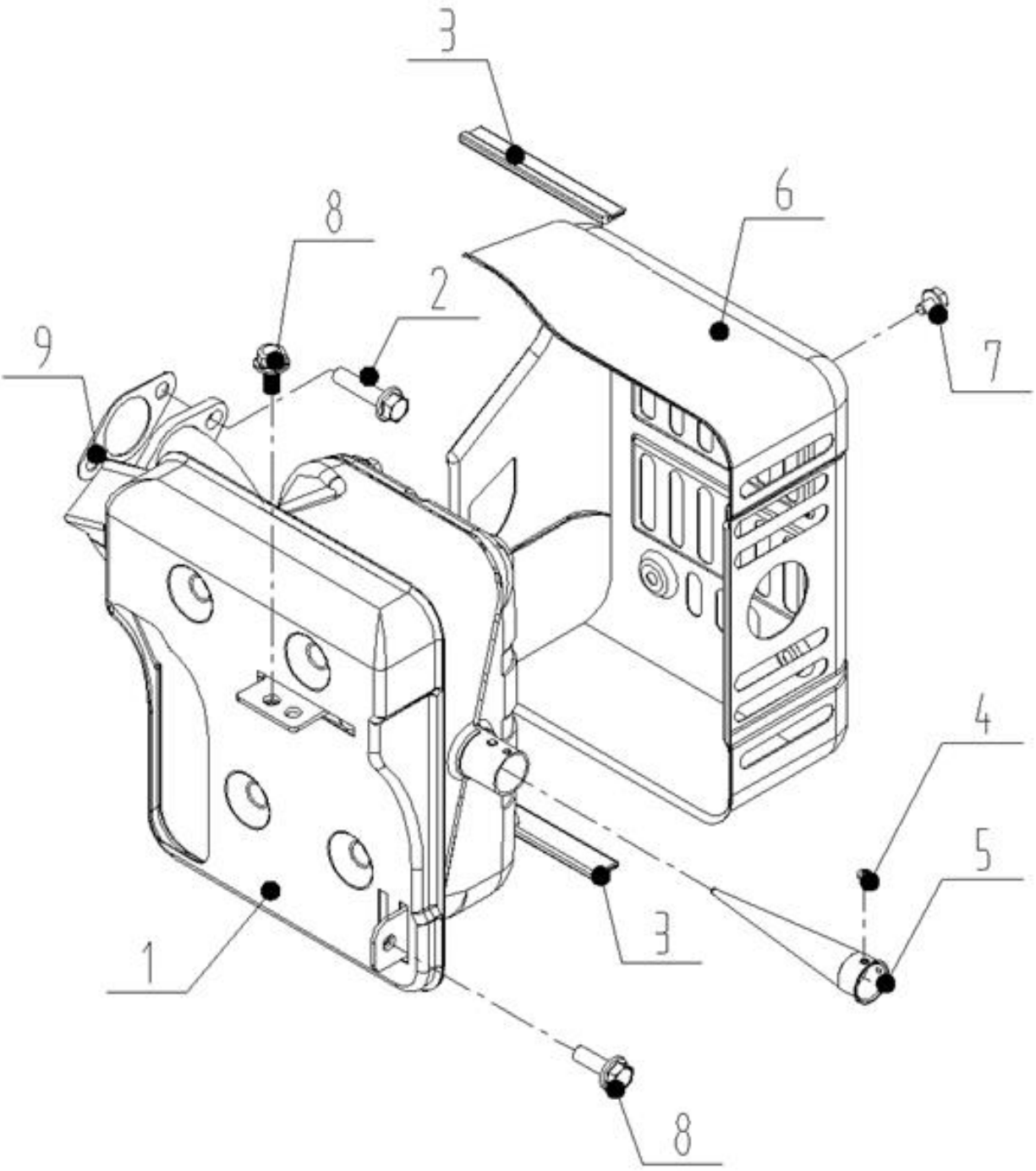
Ref	Part Description	Part Number	Qty
	Handle Assy Kit	220993	
17	<i>Handle Endcap</i>	<i>included in kit 220993</i>	1
18	<i>Pin Locking</i>	<i>included in kit 220993</i>	1
19	<i>Bolt Pivot</i>	<i>included in kit 220993</i>	1
20	<i>Handle</i>	<i>included in kit 220993</i>	1
21	<i>Handle Grip</i>	<i>included in kit 220993</i>	1
22	<i>Nut Nylock</i>	<i>included in kit 220993</i>	1
23	<i>Gasket Nylon</i>	<i>included in kit 220993</i>	2
24	<i>Spacer Handle</i>	<i>included in kit 220993</i>	1
	Foot Assy Kit	220994	
13	<i>Foot</i>	<i>included in kit 220994</i>	1
14	<i>Bumper</i>	<i>included in kit 220994</i>	1
15	<i>Screw Bumper</i>	<i>included in kit 220994</i>	1
6	<i>Screw Foot</i>	<i>included in kit 220994</i>	2
1	Frame Weldment Small	220955	1
4	Wheel 10x3.5	220981	2
8	Isolator Round Small	220964	2
12	Isolator Focus Small	220962	2

FRAME PARTS FOR WGC5300 & WGC7500E



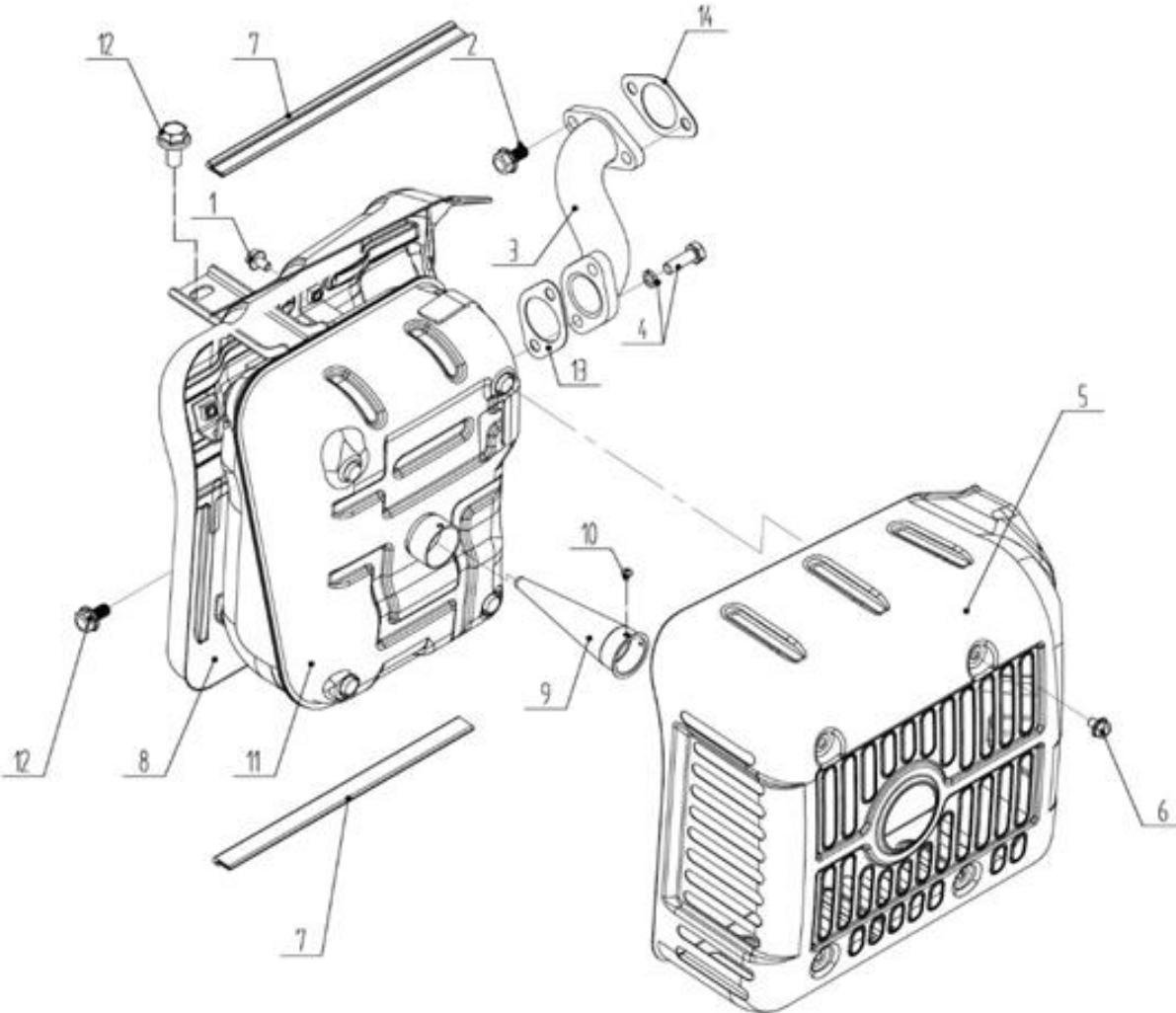
Ref	Part Description	Part Number	Qty
	Handle Assy Kit	220993	
17	<i>Handle Endcap</i>	<i>included in kit 220993</i>	1
18	<i>Pin Locking</i>	<i>included in kit 220993</i>	1
19	<i>Bolt Pivot</i>	<i>included in kit 220993</i>	1
20	<i>Handle</i>	<i>included in kit 220993</i>	1
21	<i>Handle Grip</i>	<i>included in kit 220993</i>	1
22	<i>Nut Nylock</i>	<i>included in kit 220993</i>	1
23	<i>Gasket Nylon</i>	<i>included in kit 220993</i>	2
24	<i>Spacer Handle</i>	<i>included in kit 220993</i>	1
	Foot Assy Kit	220994	
13	<i>Foot</i>	<i>included in kit 220994</i>	1
14	<i>Bumper</i>	<i>included in kit 220994</i>	1
15	<i>Screw Bumper</i>	<i>included in kit 220994</i>	1
6	<i>Screw Foot</i>	<i>included in kit 220994</i>	2
1	Frame Weldment Large Batt	220954	1
4	Wheel 10x3.5	220981	2
8	Isolator Round Large	220965	2
12	Isolator Focus Large	220963	2
16	Battery	109366	1

EXHAUST SYSTEM PARTS FOR WGC3800



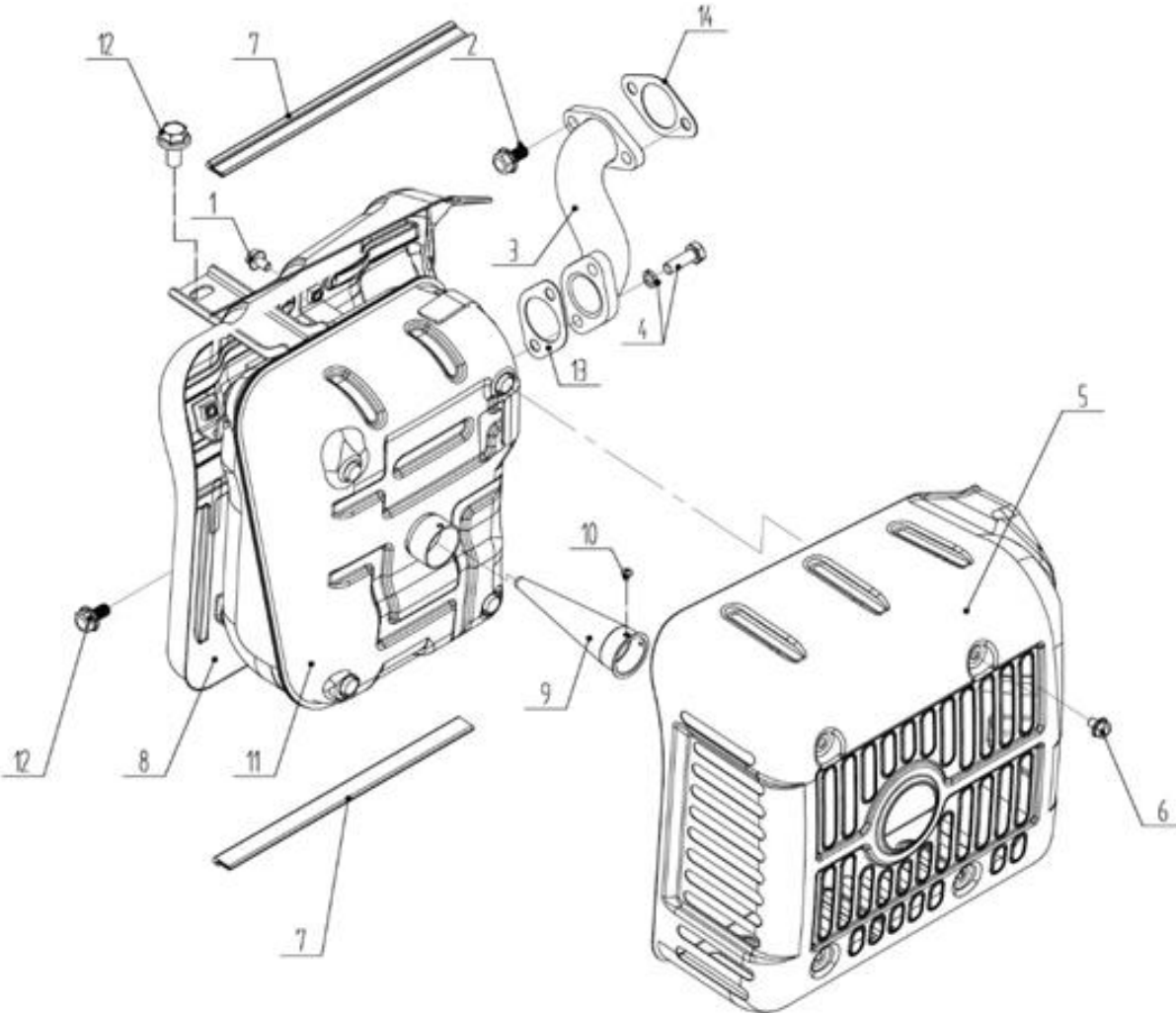
Ref	Part Description	Part Number	Qty
	Muffler Assembly Small	220967	
5	Spark Arrester Small	220975	1
9	Gasket Muffler-Engine CH270	220958	1

EXHAUST SYSTEM PARTS FOR WGC5300



Ref	Part Description	Part Number	Qty
	Muffler Kit Large	220995	
1	<i>Bolt Muffler Heat Shield</i>	<i>included in kit 220995</i>	4
4	<i>Bolt Elbow</i>	<i>included in kit 220995</i>	2
5	<i>Cover Muffler</i>	<i>included in kit 220995</i>	1
6	<i>Bolt Muffler Cover</i>	<i>included in kit 220995</i>	4
7	<i>Isolator Muffler</i>	<i>included in kit 220995</i>	2
8	<i>Heat Shield Muffler</i>	<i>included in kit 220995</i>	1
11	<i>Muffler</i>	<i>included in kit 220995</i>	1
12	<i>Bolt Muffler Support</i>	<i>included in kit 220995</i>	2
13	<i>Gasket Muffler-Elbow</i>	<i>included in kit 220995</i>	1
3	Muffler Elbow CH395	220968	1
9	Spark Arrester Large	220974	1
13	Gasket Muffler-Elbow	220957	1
14	Gasket Muffler-Engine CH395	220959	1

EXHAUST SYSTEM PARTS FOR WGC7500E



Ref	Part Description	Part Number	Qty
	Muffler Kit Large	220995	
1	<i>Bolt Muffler Heat Shield</i>	<i>included in kit 220995</i>	4
4	<i>Bolt Elbow</i>	<i>included in kit 220995</i>	2
5	<i>Cover Muffler</i>	<i>included in kit 220995</i>	1
6	<i>Bolt Muffler Cover</i>	<i>included in kit 220995</i>	4
7	<i>Isolator Muffler</i>	<i>included in kit 220995</i>	2
8	<i>Heat Shield Muffler</i>	<i>included in kit 220995</i>	1
11	<i>Muffler</i>	<i>included in kit 220995</i>	1
12	<i>Bolt Muffler Support</i>	<i>included in kit 220995</i>	2
13	<i>Gasket Muffler-Elbow</i>	<i>included in kit 220995</i>	1
3	Muffler Elbow CH440	220969	1
9	Spark Arrester Large	220974	1
13	Gasket Muffler-Elbow	220957	1
14	Gasket Muffler-Engine CH440	220960	1